

NOW EXCLUDING DPF & DPF COVER!
New price, Smarter offering, Same Quality

A Better Way, For a Popular Lion

With a market potential of more than 275.000 vehicles in operation, the Dinex Euro VI silencer for MAN's popular line of trucks is destined to make a great difference.



AFTERMARKET

All You Need From Turbo To Tailpipe



Dinex Euro VI Silencer for MAN TGS & TGX



Warrantied & Type Approved Quality

Developed, produced & validated according to industry standards, with an unmatched 3 year warranty, and packed with type approved technologies.



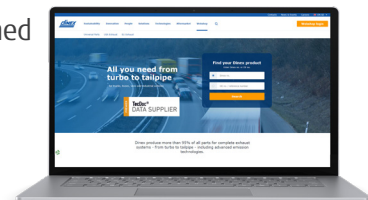
Unmatched Quality at an Unmatched Price

Get the quality and functionality you would expect from a brand-new unit, at an attractive Aftermarket price.



Part of the Scope: From Turbo to Tailpipe

As your One-Stop-Shop supplier we cover ALL the necessary parts for replacing or servicing any Euro VI emission system

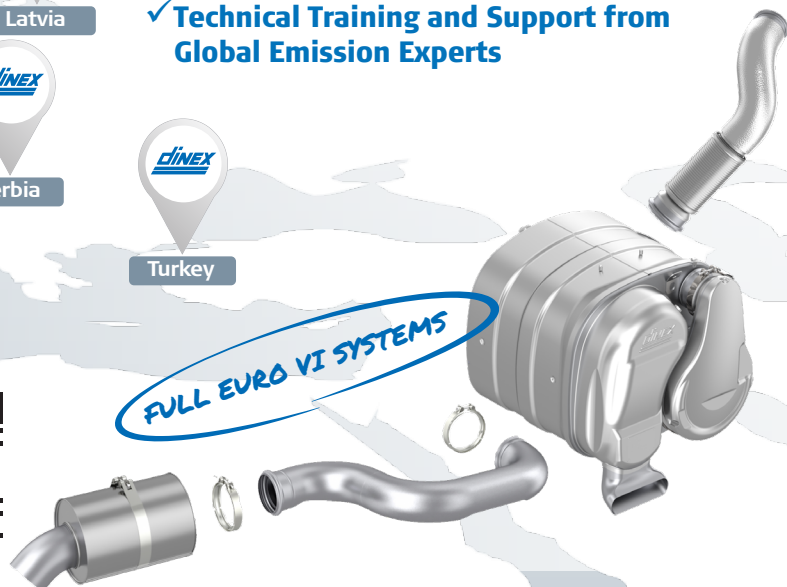


For more information and updates, stay tuned at our webshop here:



Your Partner in Exhaust and Emission

- ✓ Global Supplier to the OEM Industry
- ✓ Wide Distributor Network of Availability, Reliability & Flexibility
- ✓ Technical Training and Support from Global Emission Experts



FULL EURO VI SYSTEMS

Part of a complete system offering



MAN TGX / TGS (2014)

Euro VI - Horizontal



4x2 - 6x2 - 6x2/2 - 6x2/4 - 4x4 - 6x4

Vehicle engine

D2066LF / 10.5 ltr. / 6 cyl.

206KW / 280HP
235KW / 320HP
265KW / 360HP

D2676LF / 12.4 ltr. / 6cyl.

309KW / 420HP
338KW / 460HP
368KW / 500HP

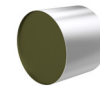


Built-in substrates*

DOC
9AA032



SCR with ASC
9AA092



*See page 94.

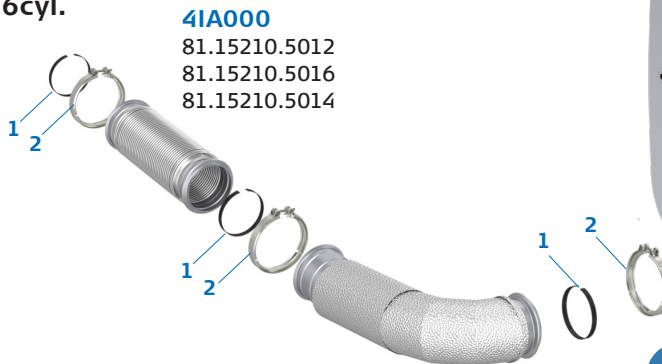
Silencer Cover

4IL051

81.15103.0108
81.15103.0167

4IC025

81.15103.6109
81.15103.6115
81.15103.6125



4IA000

81.15210.5012
81.15210.5016
81.15210.5014

4IE001

81.15201.0295

NOW EXCLUDING DPF & DPF COVER!
New price, Smarter offering, Same Quality

Manufacturers part numbers and brand names, including model and engine designations are quoted for reference only.

Dinex diesel particulate filter kit

Dinex no: 4II001 / New
Dinex no: 4II001-RX / Reconditioned



OE no: 81.15103.0107,
81.15103.9107, 81.15103.0128
Type: Diesel Particle Filter



Dinex no: 4IL004
OE no: 81.97420.0184
Type: Clamp



Dinex no: 4IL003
OE no: 81.15901.0043
Type: Gasket



Dinex no: 4IL005
OE no: 81.15901.0044
Type: Gasket



Dinex no: 4IL006
OE no: 81.97420.0185
Type: Clamp

Kit number: 4II002

Mechatronics



Dinex no: 47041
OE no: 51.27421.0293,
51.27421.0310
Type: Temperature Sensor



Dinex no: 4IL018**
OE no: 51.15408.0011,
51.15408.0018
Dinex no: 47032**
OE no: 51.15408.0019,
51.15408.0012
Type: NOx Sensor



Dinex No: 4IP007
OE number: 81.15403.6139
Type: Pump for AdBlue®



Dinex No: 4IT023
OE number: 81.15405.5004
Type: Injector for AdBlue®



Dinex No: 47051
OE number: 51.27421.0331
Type: Pressure Sensor

Accessories

No.	Dinex no	OE no	Type
1.	4IL002	81.15901.0042	Gasket
2.	68835	06.67434.6131 81.97420.0190	Clamp

All accessories are included within the DPF kits or can be purchased separately.

Contact your local Dinex office or visit www.dinex.net for more information.