

Dinex is proud to announce new DPF for DAF CF/XF trucks and VDL Futura coaches.

going the extra mile



All You Need From Turbo To Tailpipe



DAF CF/XF (from 2018) VDL Futura

Vehicle engine

XF 370 MX-11 (270 kW / 367 hp)
XF 410 MX-11 (300 kW / 408 hp)
XF 450 MX-11 (330 kW / 449 hp)
XF 430 MX-13 (315 kW / 428 hp)
XF 480 MX-13 (355 kW / 483 hp)
XF 530 MX-13 (390 kW / 530 hp)

Dinex diesel particulate filter kit

Dinex no: 2AI005 / New

Dinex no: 2AI005-RX / Reconditioned

OE no DAF: 2192100, 2144435, 2326074,
2326074R

OE no VDL: 31009912

Direct
replacement part

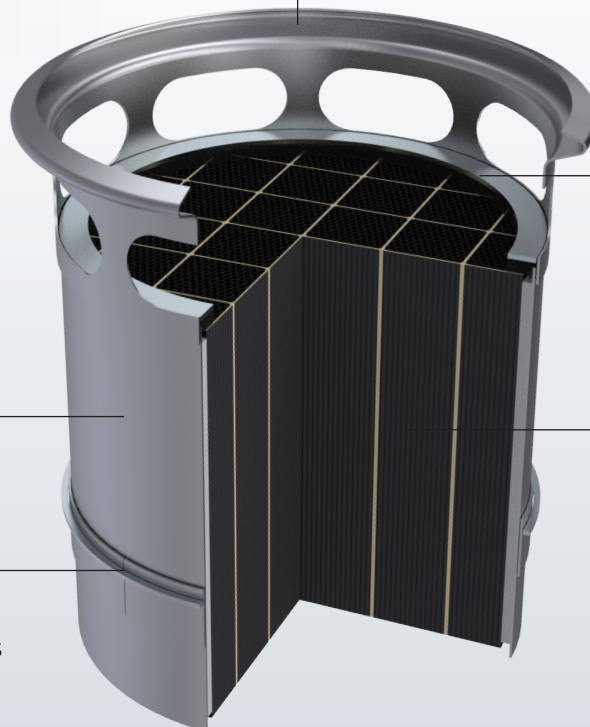
Additional support
ring to ensure the DPF
can't be pushed out
of the canning

Upgraded substrate – SiC
substrate has higher soot
load capacity, filtration
efficiency and durability
compared to OE cordierite
substrate



Type approval –
certified for usage
on Euro 6 vehicles

Clamps and gaskets
included



New and Reconditioned version available!

Dinex.net



On Recon RX
DPF filters



On New
DPF filters