

# Mounting Instruction

Dinex no. 2KA000-RK  
for Iveco Stralis, Euro 6



## Rep-kit 2KA000-RK

is an easy and cost effective way to repair a pipe. Based on the D2S+ technology, the flex pipe ensures high flexibility and low leakage rate.

Original Pipe  
Dinex no. 2KA000  
OE no. 5801292786  
OE no. 5801990172



When repairing our original pipe, apply Dinex Exhaust Assembly Paste for lower leakage rate. **Dinex no. 78800**

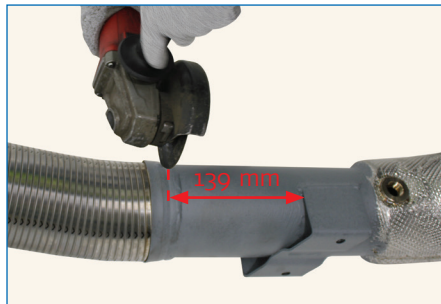


# Mounting Instruction

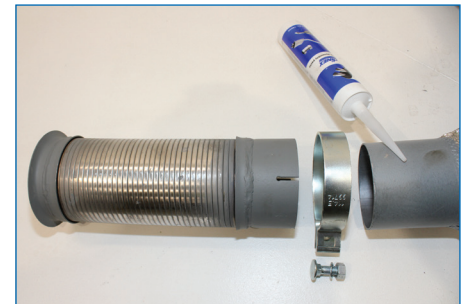


Ensure that you have all required parts:

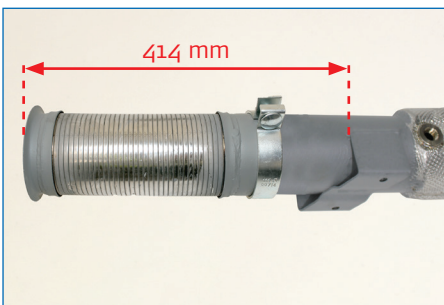
- Rep-kit (flex pipe + clamp)
- Exhaust Assembly Paste
- Grinder



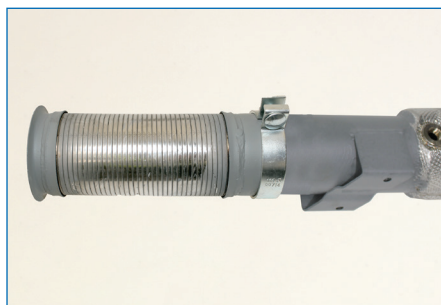
**Step 1:** Cut the pipe as close as possible to the flex hose and make sure that it is not less than 139 mm from the bracket.



**Step 2:** Before connecting the pipes uniformly, apply Dinex Exhaust Assembly Paste (78800).



**Step 3:** Make sure that there is 414 mm (+/- 2 mm) distance between the clamp and the pipe end.



**Step 4:** Secure the clamp by tightening the bolt.

In addition to the Rep-kit Dinex offers a full range of exhaust parts for Iveco Stralis, Euro 6.

going the extra mile

www.dinex.net

